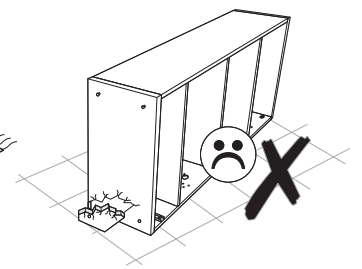
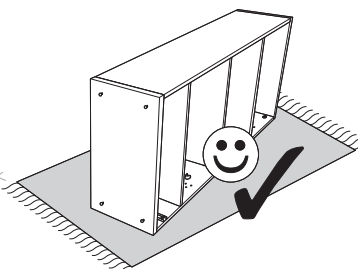
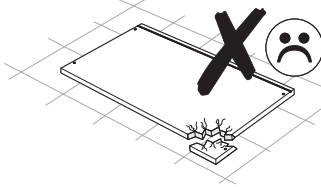
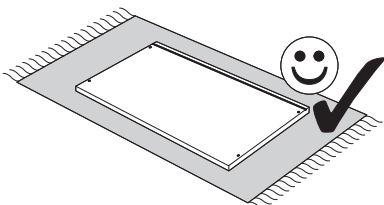
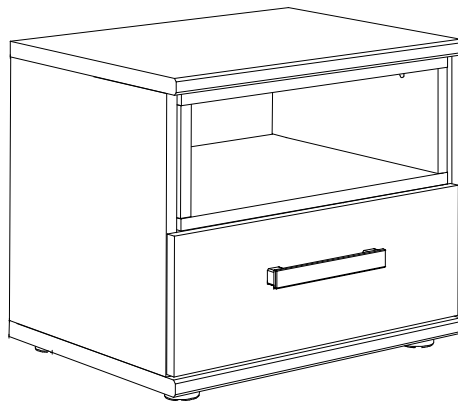
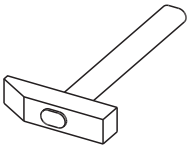
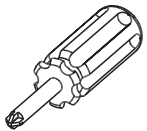
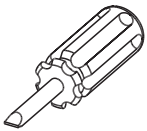
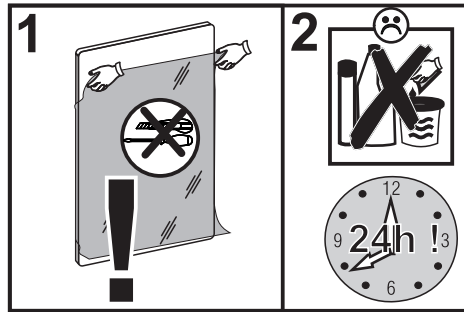
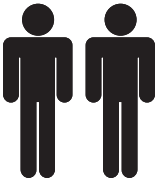
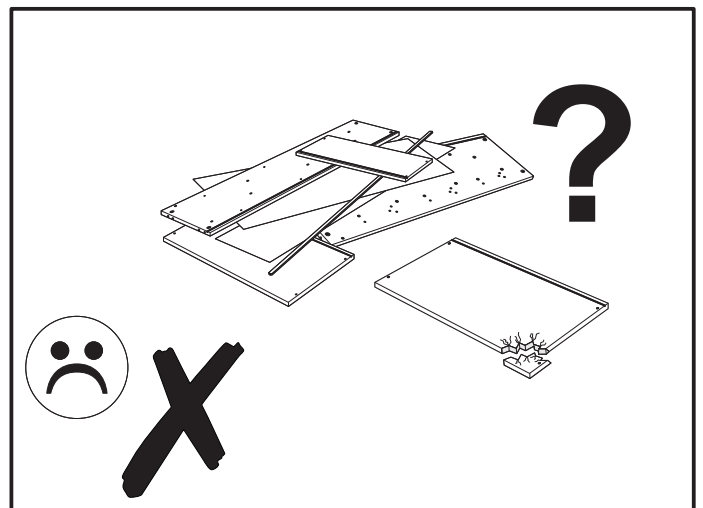
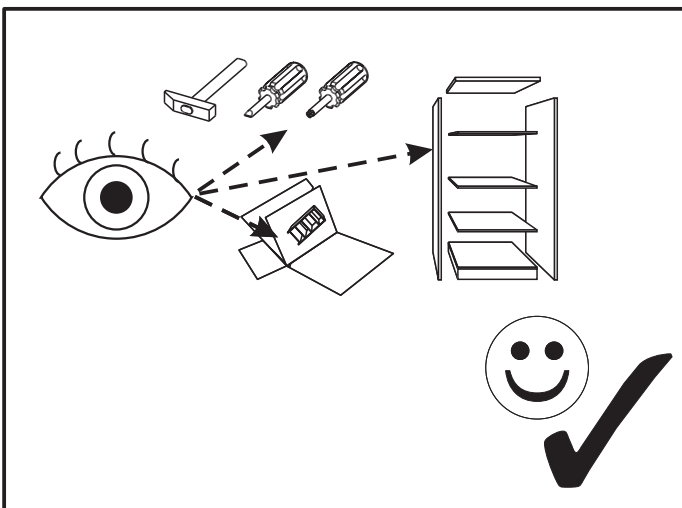
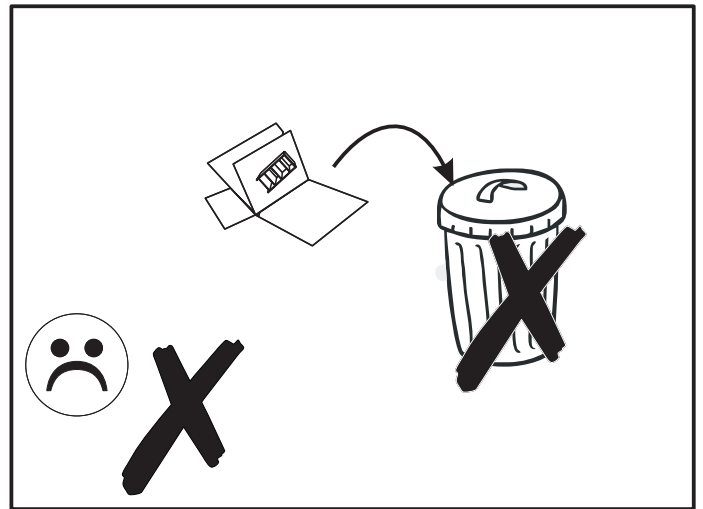
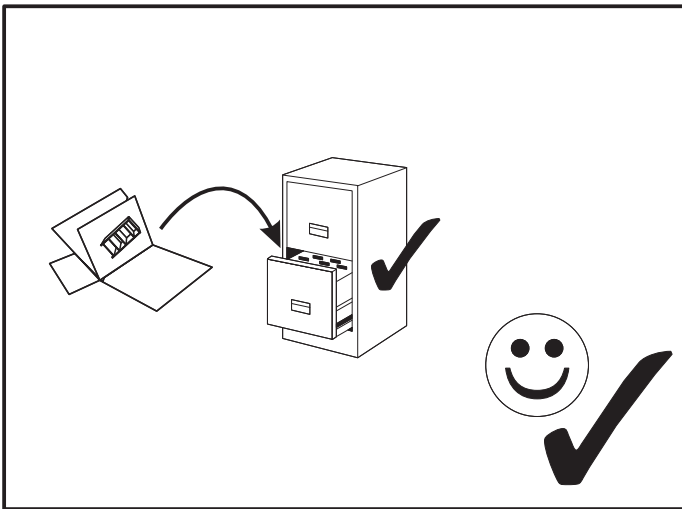
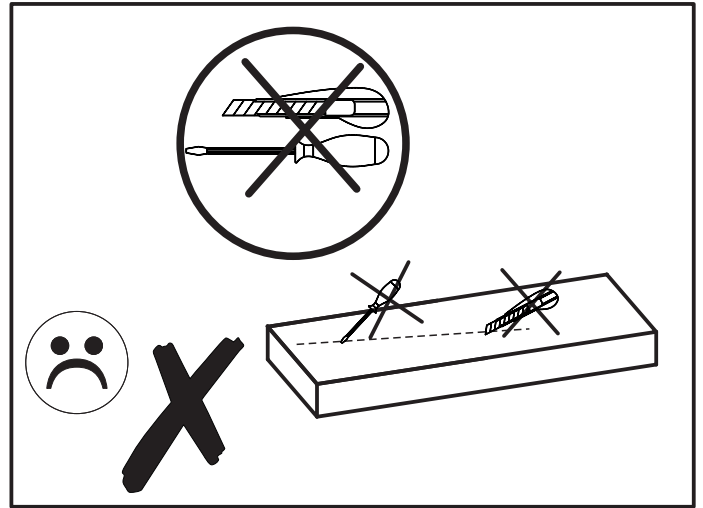
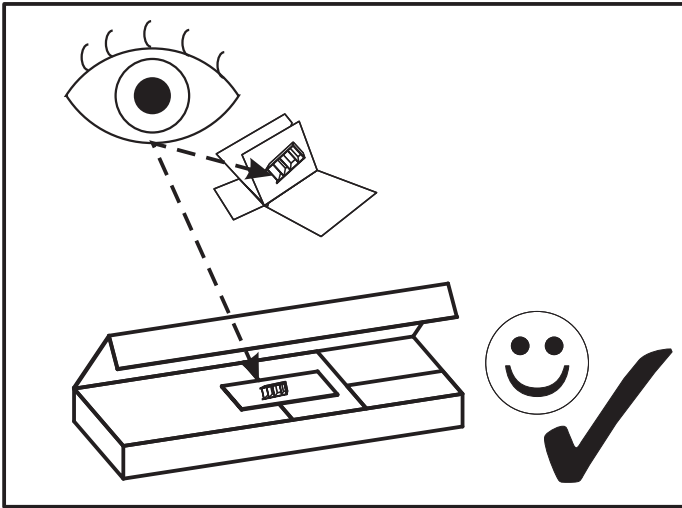
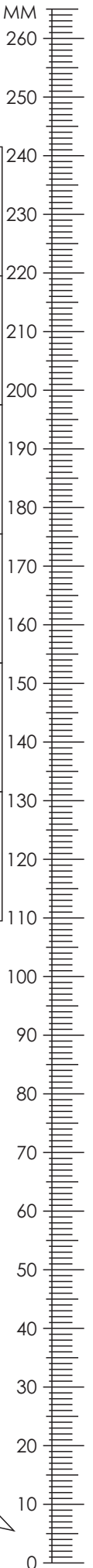









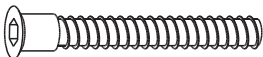




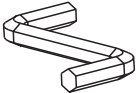

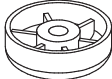




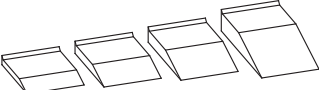
AMAZON TYP95

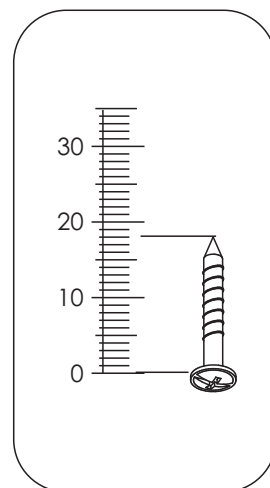




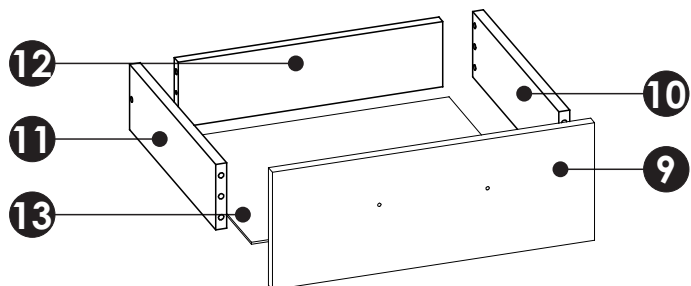
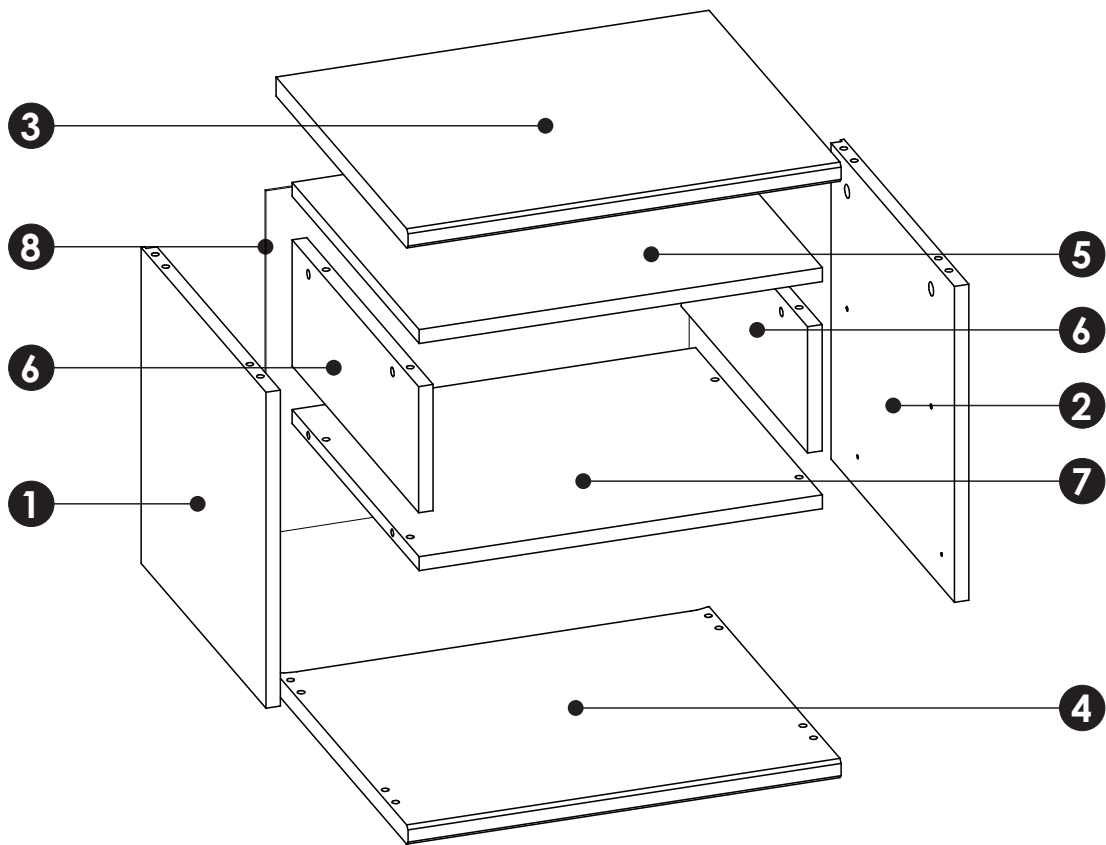
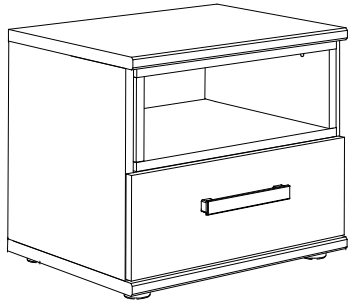
AMAZON TYP95

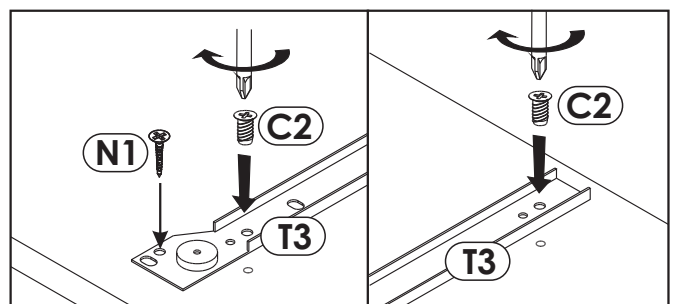
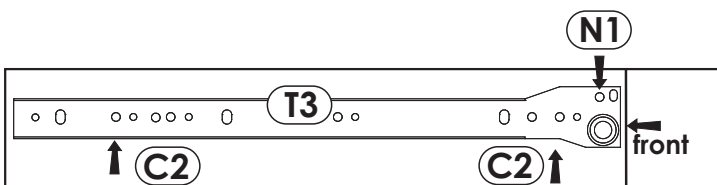
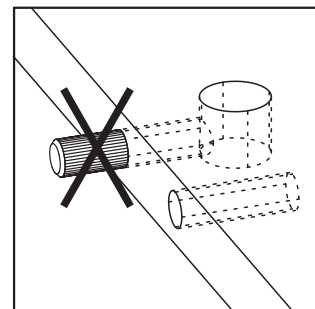
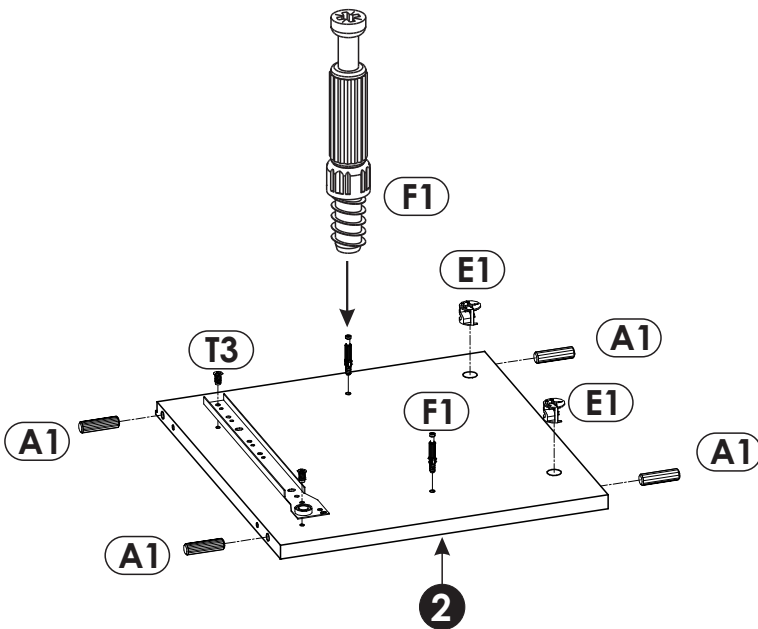
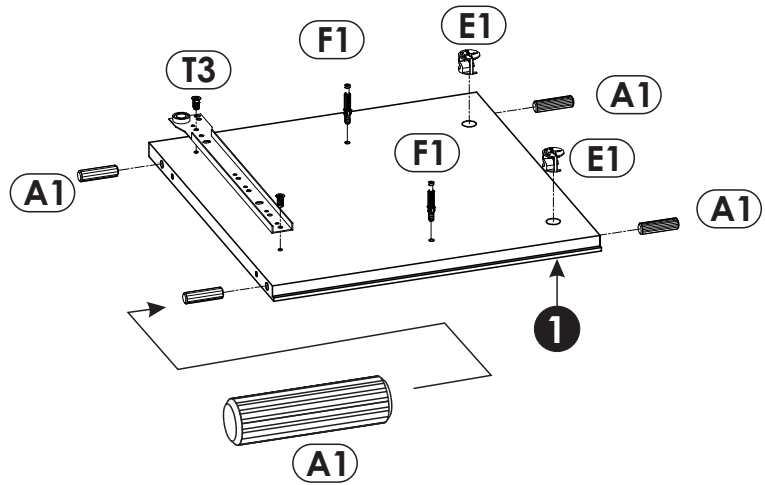
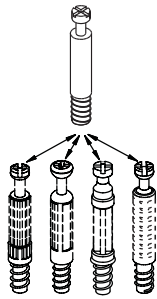
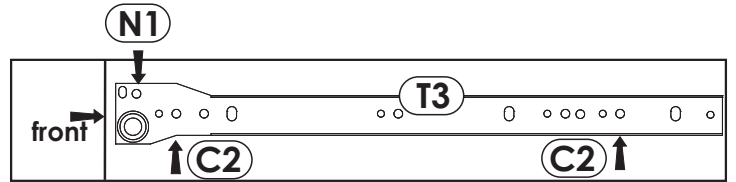
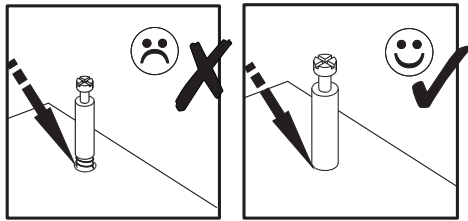
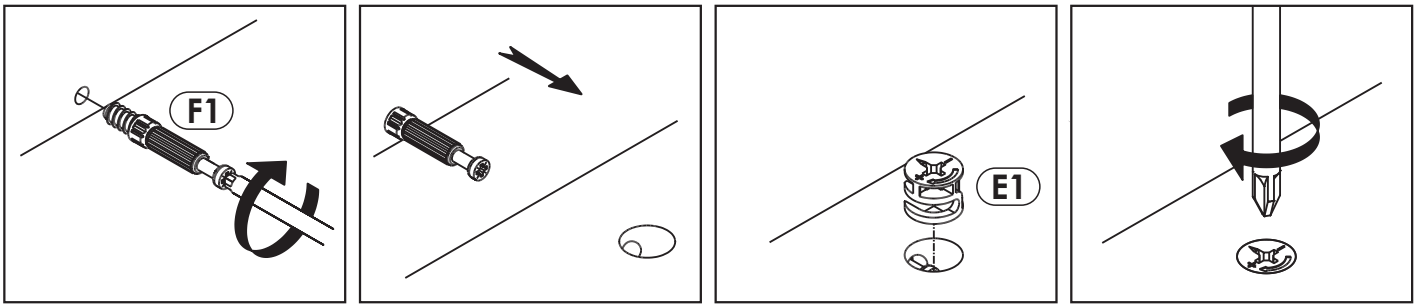


A1 x24 	C2 x4 EURO 5 x 13 mm 	E0 x6 
E1 x10 	F1 x10 	G0 x6 
G1 x2 $\phi 7 \times 50$ mm 	G2 x4 $\phi 7 \times 60$ mm 	H1 x1 
I10 x4 3,5 x 22 mm 	J1 x6 3 x 20 mm 	K3 x2 M4 x 22 mm 
M x1 	N1 x20 3 x 16 mm 	O1 x4 
P14 x4 $\phi 10$ 	R4 x1 	R8 x2 
T3 x1 L-350 	Z x1 	

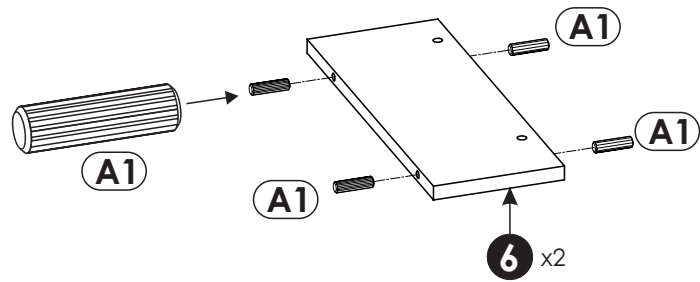


AMAZON TYP95

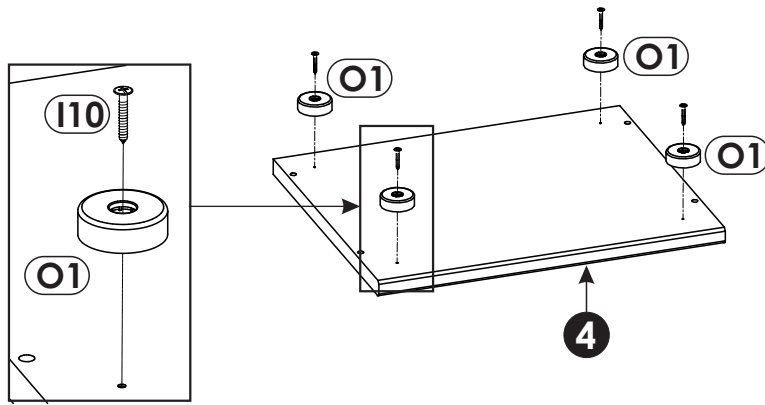




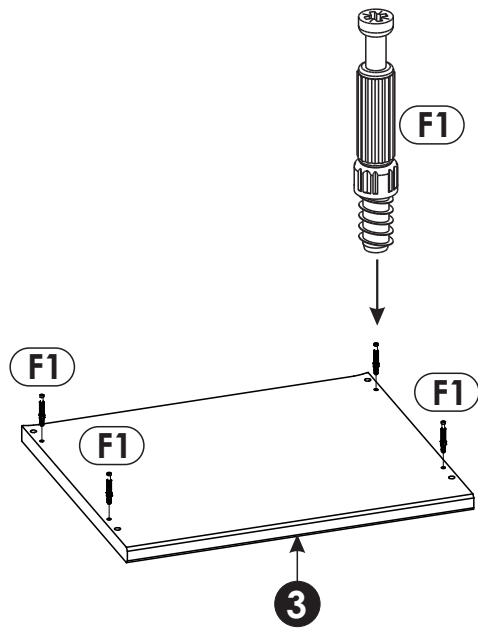
2▶



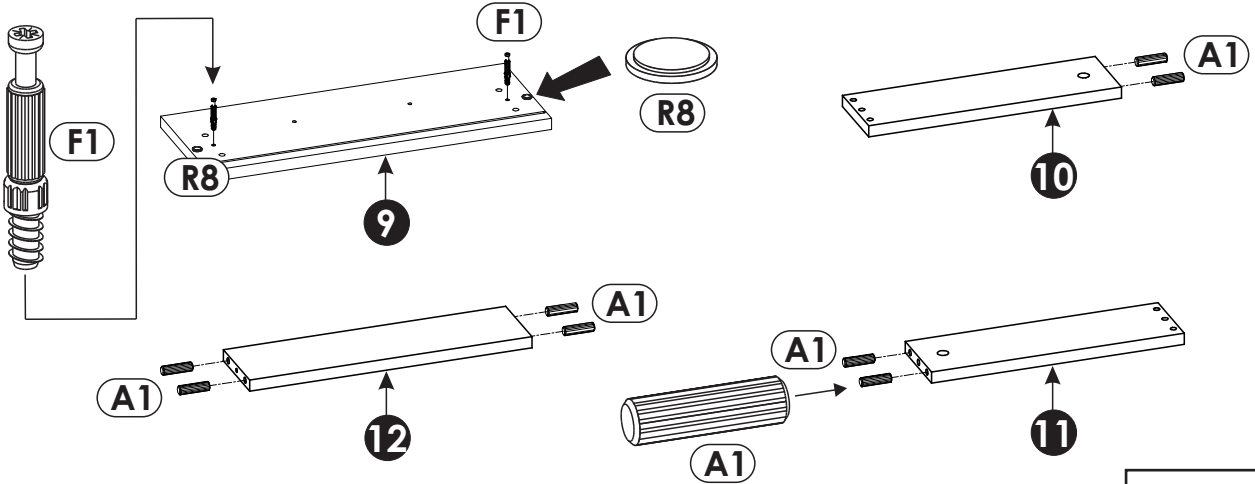
3▶



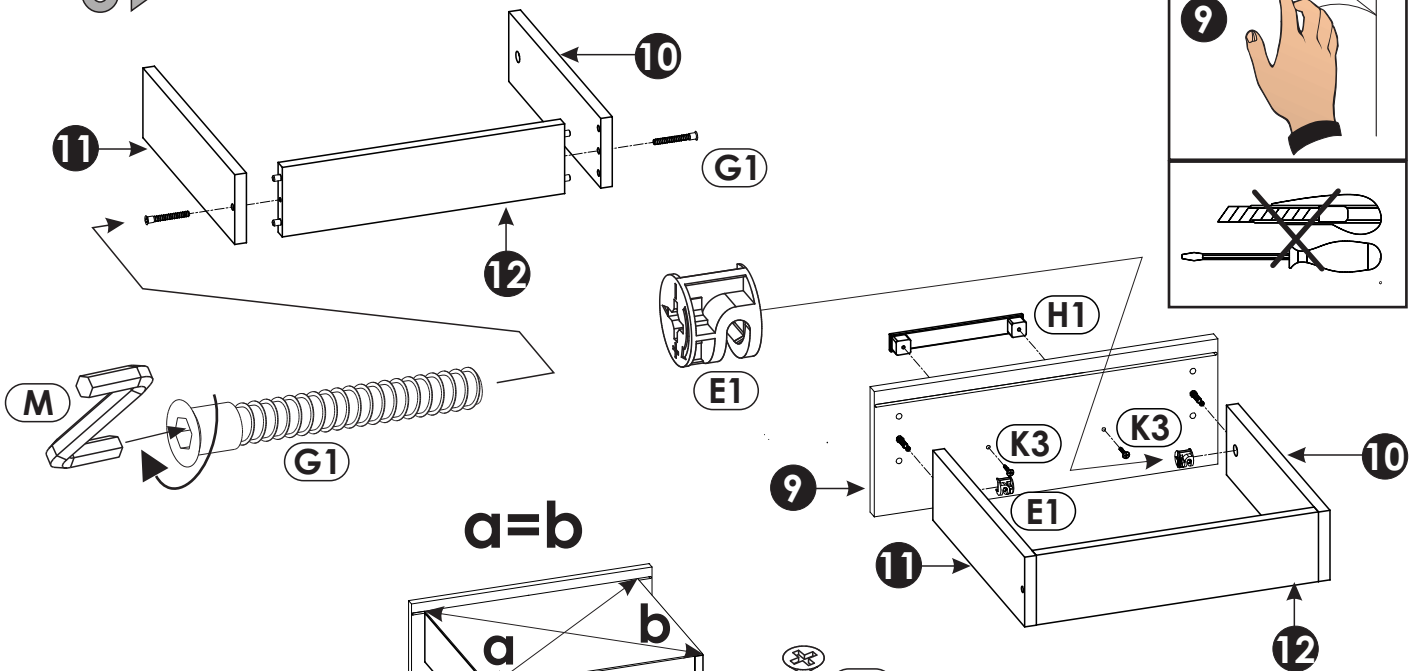
4▶



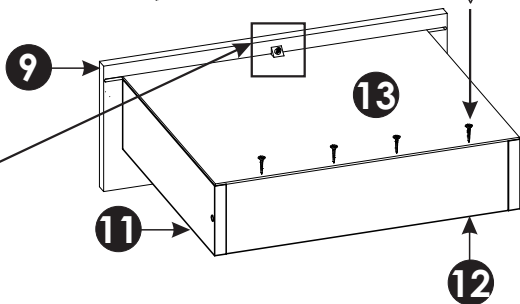
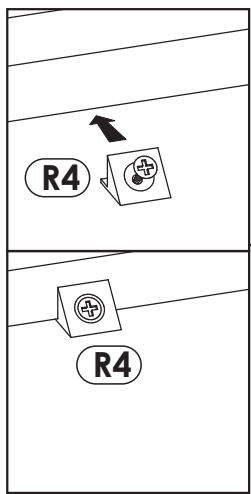
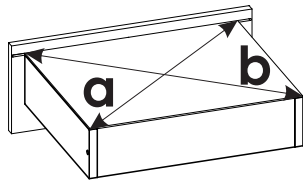
5 ▶



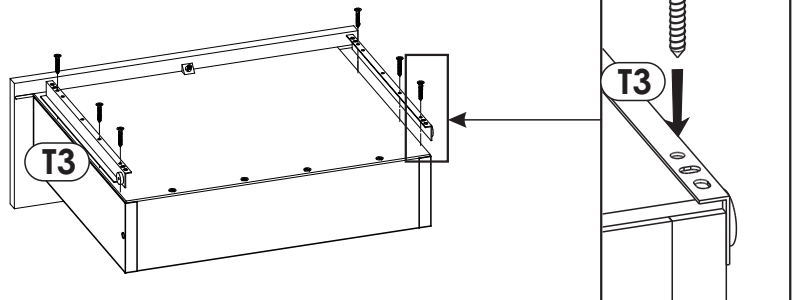
6 ▶



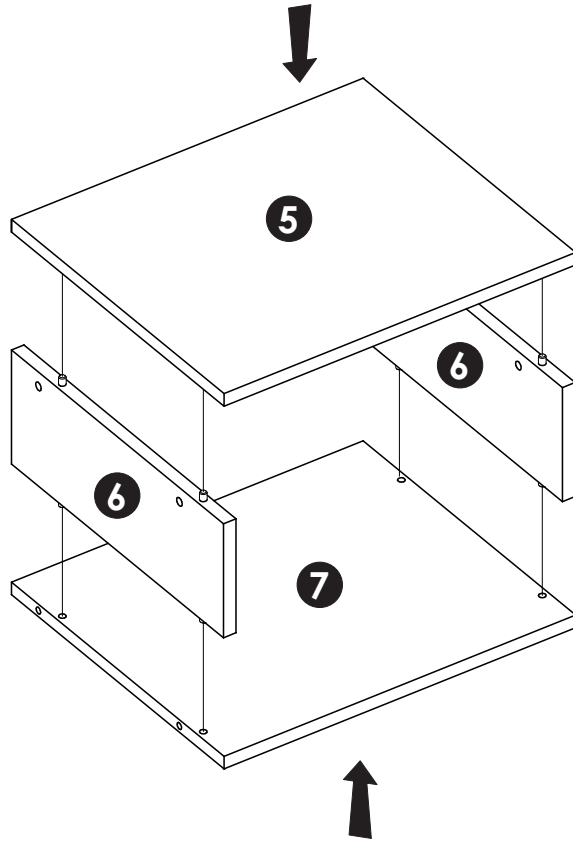
$a=b$



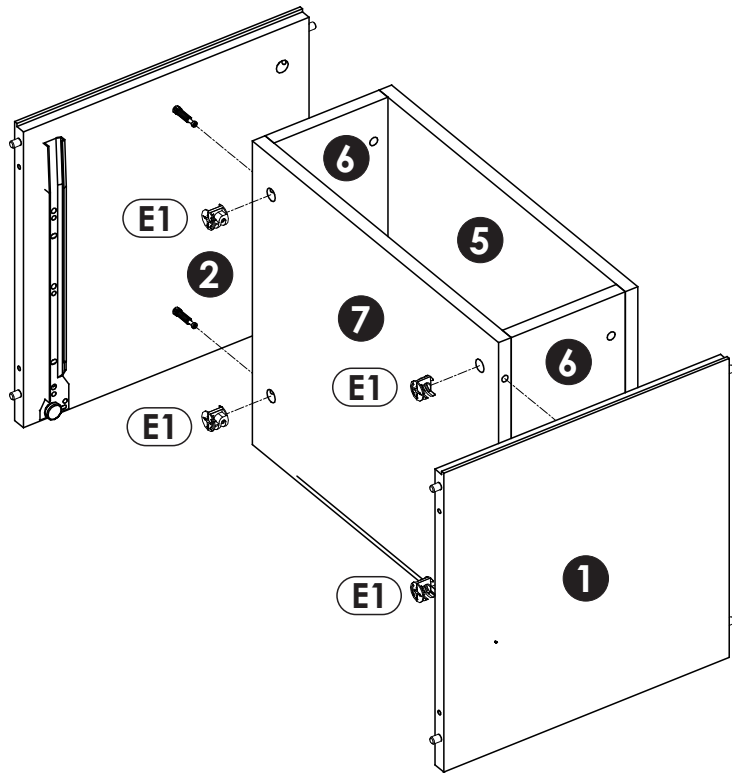
7 ▶



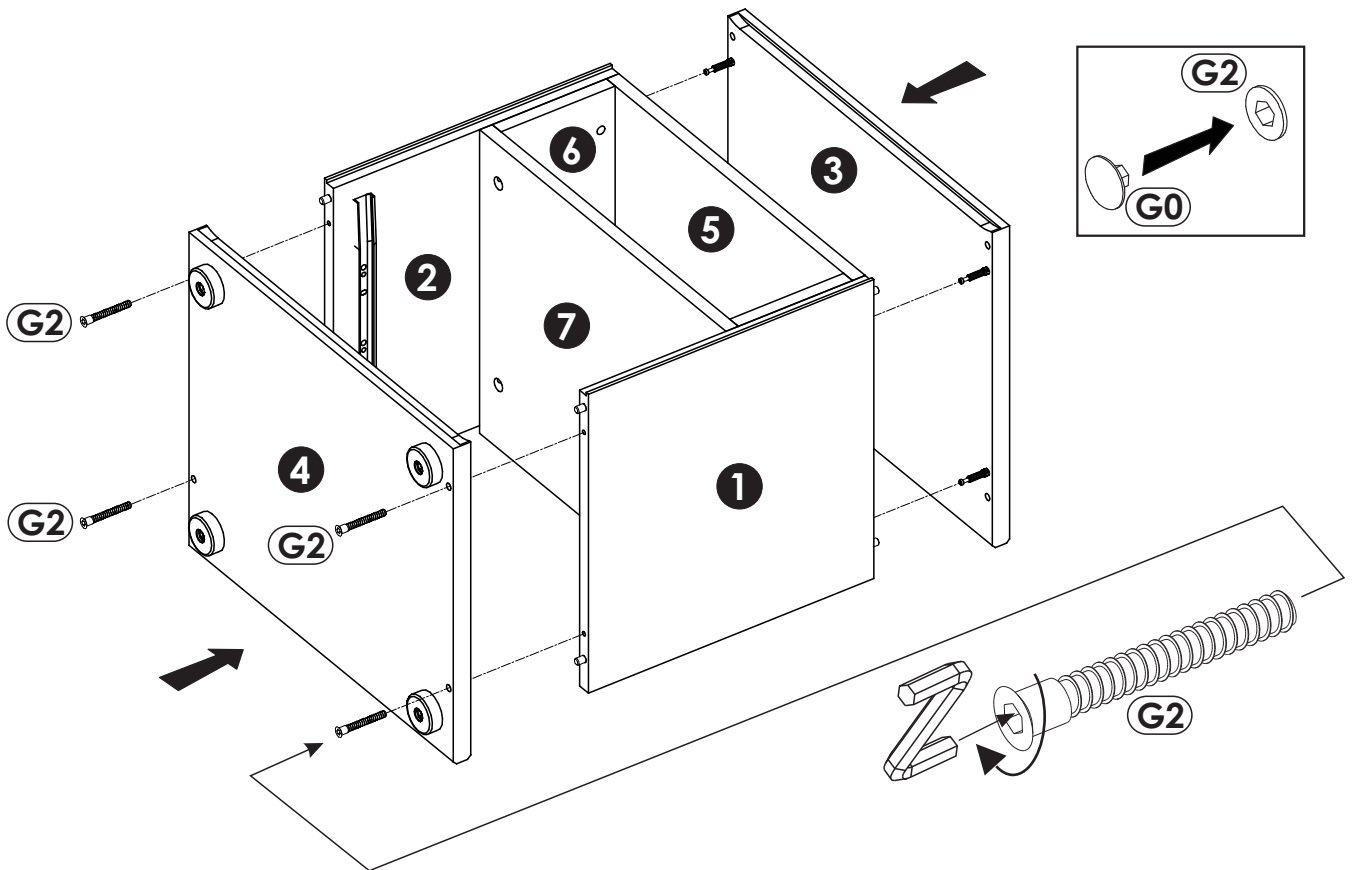
8 ▶



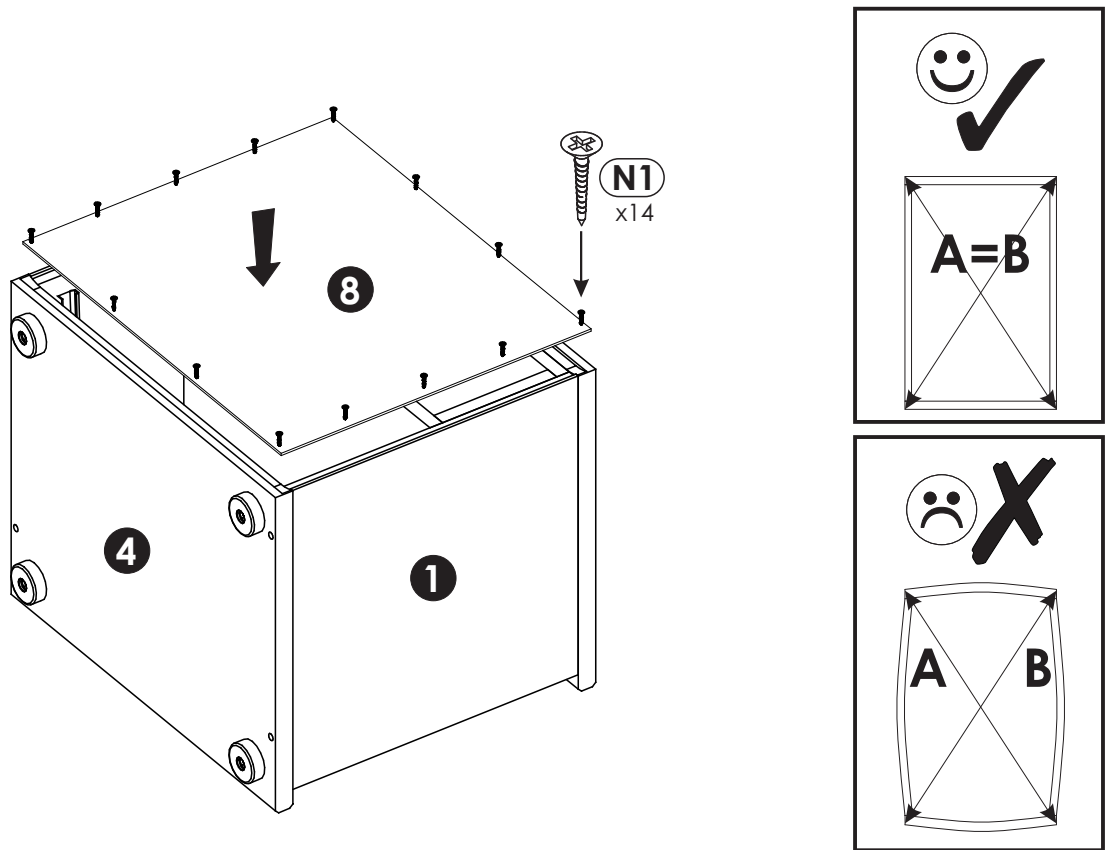
9 ▶



10 ▶



11 ▶



12▶

